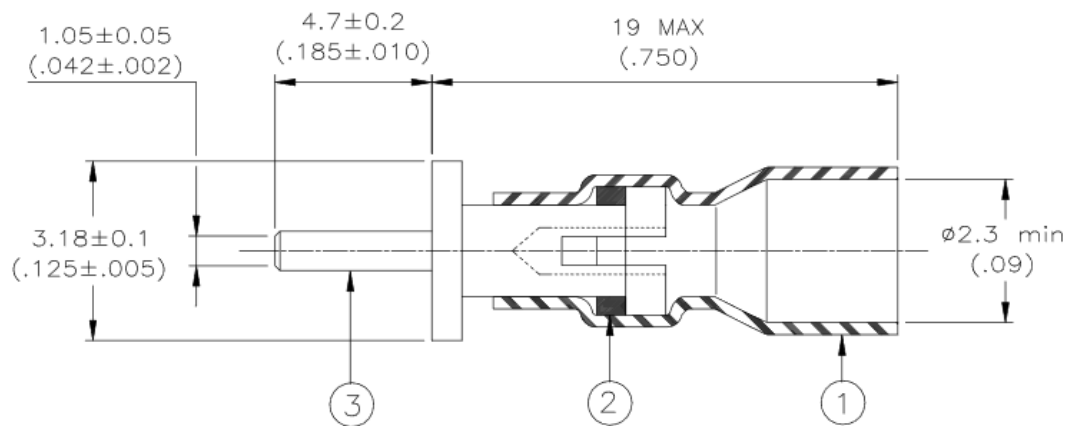


D-607-03 to D-607-40 solder sleeves PCB terminator for coaxial cable

Temperature

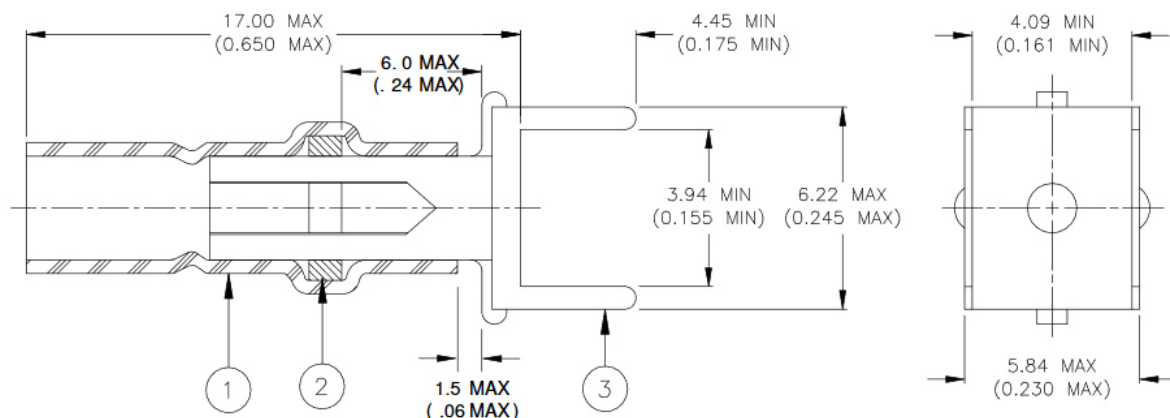
Operating range -55°C to +125°C

D-607-03



- 1: Heat shrink tube, transparent blue, cross-linked polyvinylidene fluoride (PVDF)
- 2: Solder Type Sn63 per ANSI-J-STD-006, Flux Type ROL1 per ANSI-J-STD-004
- 3: Contact pin: Tin plated brass

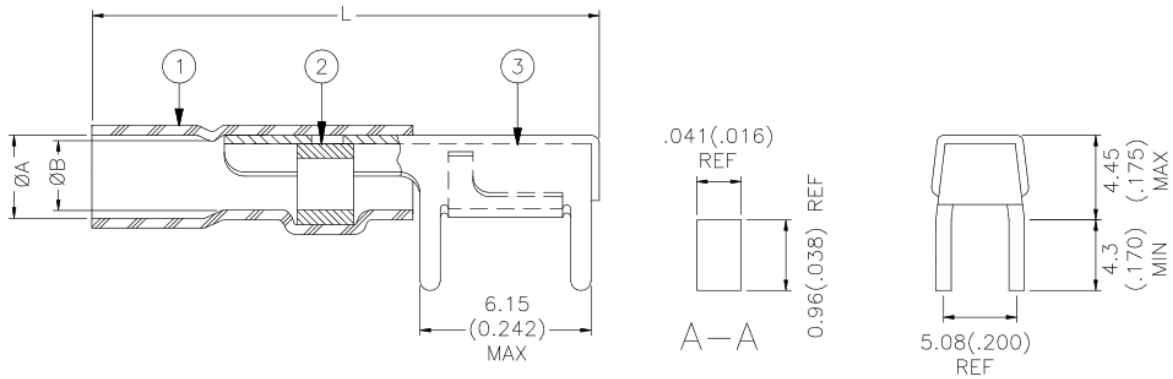
D-607-09



- 1: Heat shrink tube, transparent blue, cross-linked polyvinylidene fluoride (PVDF)
- 2: Solder Type Sn63 per ANSI-J-STD-006, Flux Type ROL0 per ANSI-J-STD-004
- 3: Terminator body: Copper alloy, solder-plated

Wärmeschrumpftechnik

D-607-10

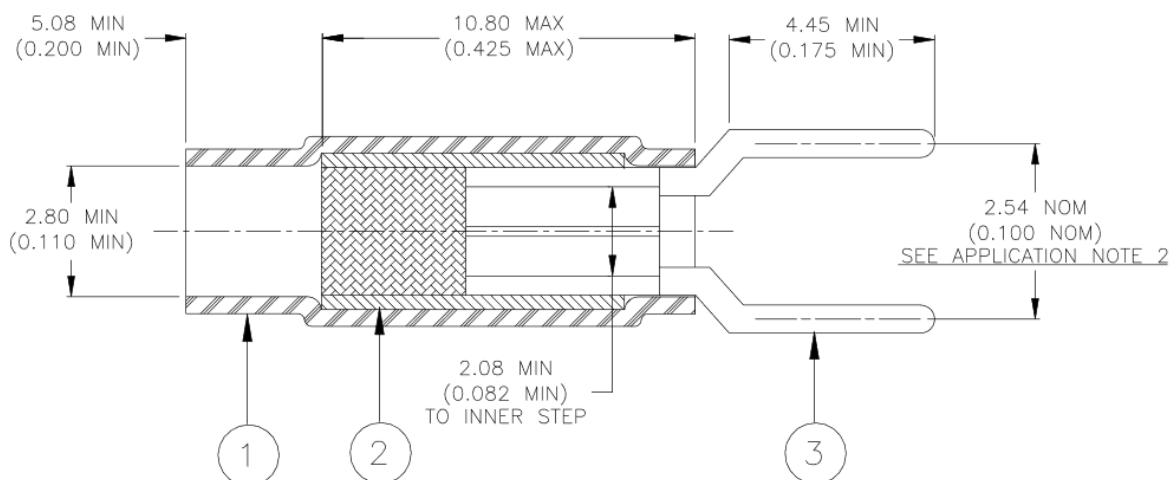


- 1: Heat shrink tube, transparent blue, cross-linked polyvinylidene fluoride (PVDF)
- 2: Solder Type Sn63 per ANSI-J-STD-006, Flux Type ROL0 per ANSI-J-STD-004
- 3: Terminator body: Copper alloy, tin-plated

Dimensions in mm

Part number	Product dimensions			Wire dimensions	
	L max.	$\varnothing A$ min.	$\varnothing B$ min.	$\varnothing D$	$\varnothing E$ (shield may be folded back over jacket to increase diameter.)
D-607-10	24.0	4.0	2.8	1.8 to 4.0	1.9 to 2.8

D-607-40



- 1: Heat shrink tube, transparent blue, cross-linked polyvinylidene fluoride (PVDF)
- 2: Solder Type Sn63 per ANSI-J-STD-006, Flux Type ROM1 per ANSI-J-STD-004
- 3: Terminator body: Copper alloy C10200 per ASTM B75